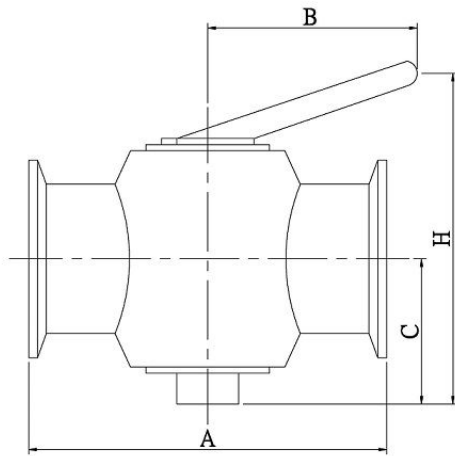




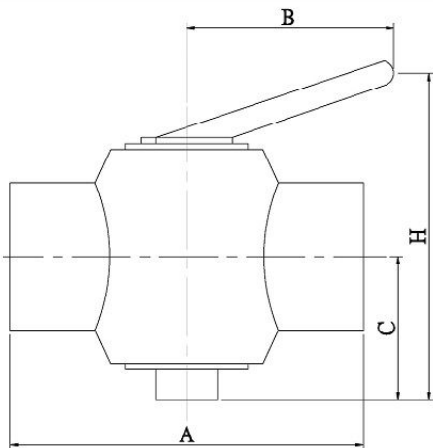
PLUG VALVE



二通夾式考克

2WAY-CLAMP-PLUG VALVE

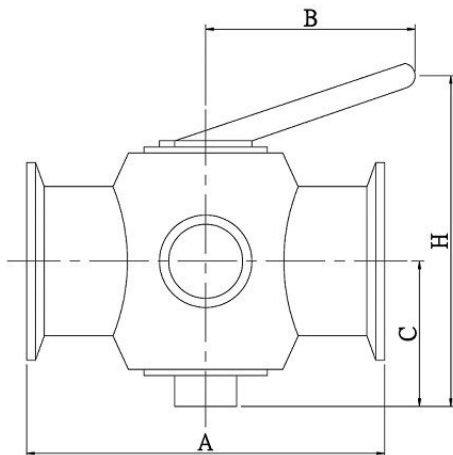
SIZE	A	B	C	H
1.0"	115.9	117.0	58.3	128.4
1.5"	147.6	142.7	61.0	163.4
2.0"	173.0	144.2	72.4	178.3
2.5"	209.6	150.6	86.2	223.4
3.0"	239.7	180.7	90.6	241.4



二通焊式考克

2WAY-WELD-PLUG VALVE

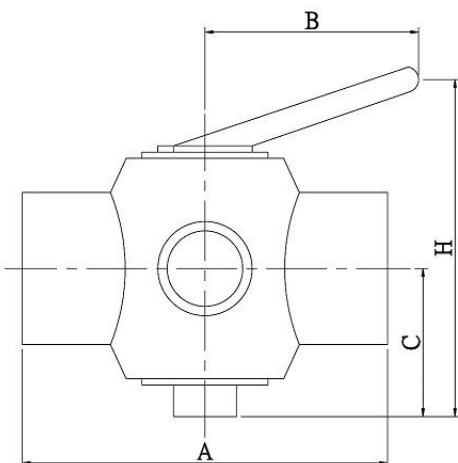
SIZE	A	B	C	H
1.0"	184.2	117.0	58.3	128.4
1.5"	198.4	142.7	61.0	163.4
2.0"	223.8	144.2	72.4	178.3
2.5"	260.4	150.6	86.2	223.4
3.0"	290.5	180.7	90.6	241.4



三通夾式考克

3WAY-CLAMP-PLUG VALVE

SIZE	A	B	C	H
1.0"	115.9	117.0	58.3	128.4
1.5"	147.6	142.7	61.0	163.4
2.0"	173.0	144.2	72.4	178.3
2.5"	209.6	150.6	86.2	223.4
3.0"	239.7	180.7	90.6	241.4

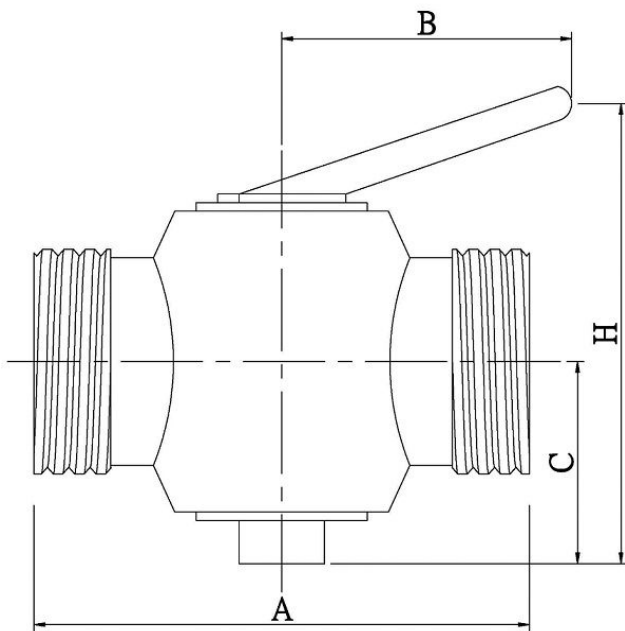


三通焊式考克

3WAY-WELD-PLUG VALVE

SIZE	A	B	C	H
1.0"	184.2	117.0	58.3	128.4
1.5"	198.4	142.7	61.0	163.4
2.0"	223.8	144.2	72.4	178.3
2.5"	260.4	150.6	86.2	223.4
3.0"	290.5	180.7	90.6	241.4

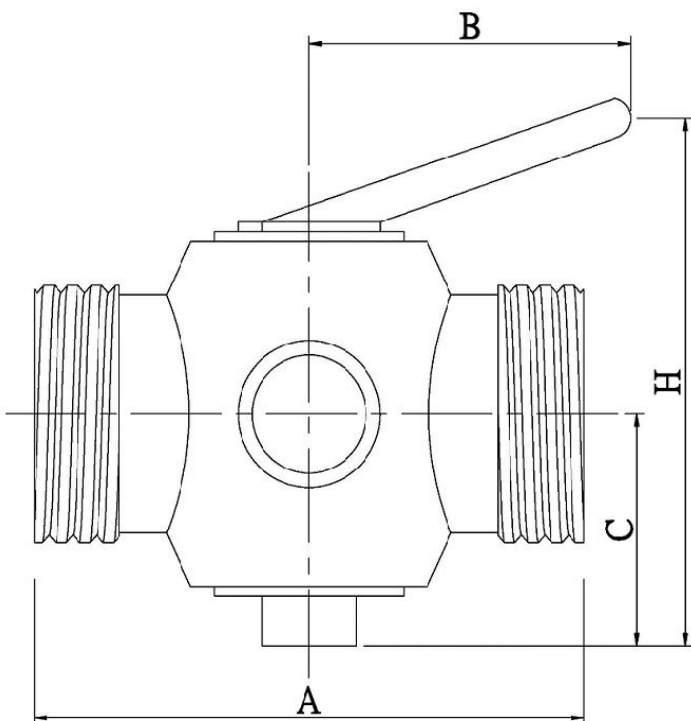
PLUG VALVE



二通牙口考克

2WAY-BEVEL SEAT-PLUG VALVE

SIZE	A	B	C	H
1.0"	115.9	117.0	58.3	128.4
1.5"	147.6	142.7	61.0	163.4
2.0"	173.0	144.2	72.4	178.3
2.5"	209.6	150.6	86.2	223.4
3.0"	239.7	180.7	90.6	241.4



三通牙口考克

3WAY-BEVEL SEAT-PLUG VALVE

SIZE	A	B	C	H
1.0"	115.9	117.0	58.3	128.4
1.5"	147.6	142.7	61.0	163.4
2.0"	173.0	144.2	72.4	178.3
2.5"	209.6	150.6	86.2	223.4
3.0"	239.7	180.7	90.6	241.4